

Cavity noise canceling system (CVNCS) **User's manual and installation instructions**

This product is mainly designed for retrofit on a guitar, having one or more single coil magnetic pickups. The CVNCS is adapted to fit inside of the Control Cavity located on the back of the guitar body.

The CVNCS contains a low impedance coil assembly so it effectively eliminates the noise while the single coil pickup tone retains unaltered. The CVNCS is an easy to install passive system.

The best way to install the CVNCS is to use professional service of a guitar builder or guitar repair shop but it can be also installed by anyone that is familiar with guitar electronics, guitar assembling and wire soldering.

Drilling holes, scratching insulation or heavy bending of the CVNCS could badly damage the unit and cause you to lose all terms of the warranty.

CVNCS Models

Model Number	Noise level	Best matched Single coil pickup type
CVNCS STD	10	Alnico rod poles pickups, 6-8 KOhm resistance
CVNCS POW	15	Alnico rod poles 8-12 KOhm or Steel poles 6-10KOhm
CVNCS HOT	20	Steel screw poles P90 pickups, 7-9 KOhm resistance

Basic requirements:

1. All single coil pickups need to be same kind (i. e. Alnico rod poles, steel screw poles etc.)
2. All pickups need to be wound in the same direction and have same magnetic polarity (if there is a RWRP pickup this pickup needs to be reversed or replaced with a regular one)
3. The pickups switching does not include any "in series" or "out of phase" combination.
4. The pickup selector switch, the volume and tone pots, all pickups and the output jack operate normally.

Preparing the guitar for CVNCS Installation:

1. If you need to modify the single coil pickups - pull off all strings from the tuners and do it accurately.
2. On the guitar back - unscrew and remove the plastic control cavity cover.
3. Take a picture or do a simple sketch to memorize the original wiring of your guitar electronics and the pickup wires connections for any future references.
4. If the pickup wires are braided type you will need to isolate them using shrink tubing or plastic jacket tubing so the pickup wires are not connected to each other or to the switch wire via the braided shield.
5. Carefully inspect the side cavity edges and cavity walls for wood chips or sticking sharp materials and smooth them if necessary. You can tape a layer of masking tape over the vertical cavity wall to protect the CVNCS coil from scratching.
6. Take the Adjusting PCB and make sure that you will be able to fit it inside of the control cavity easily.

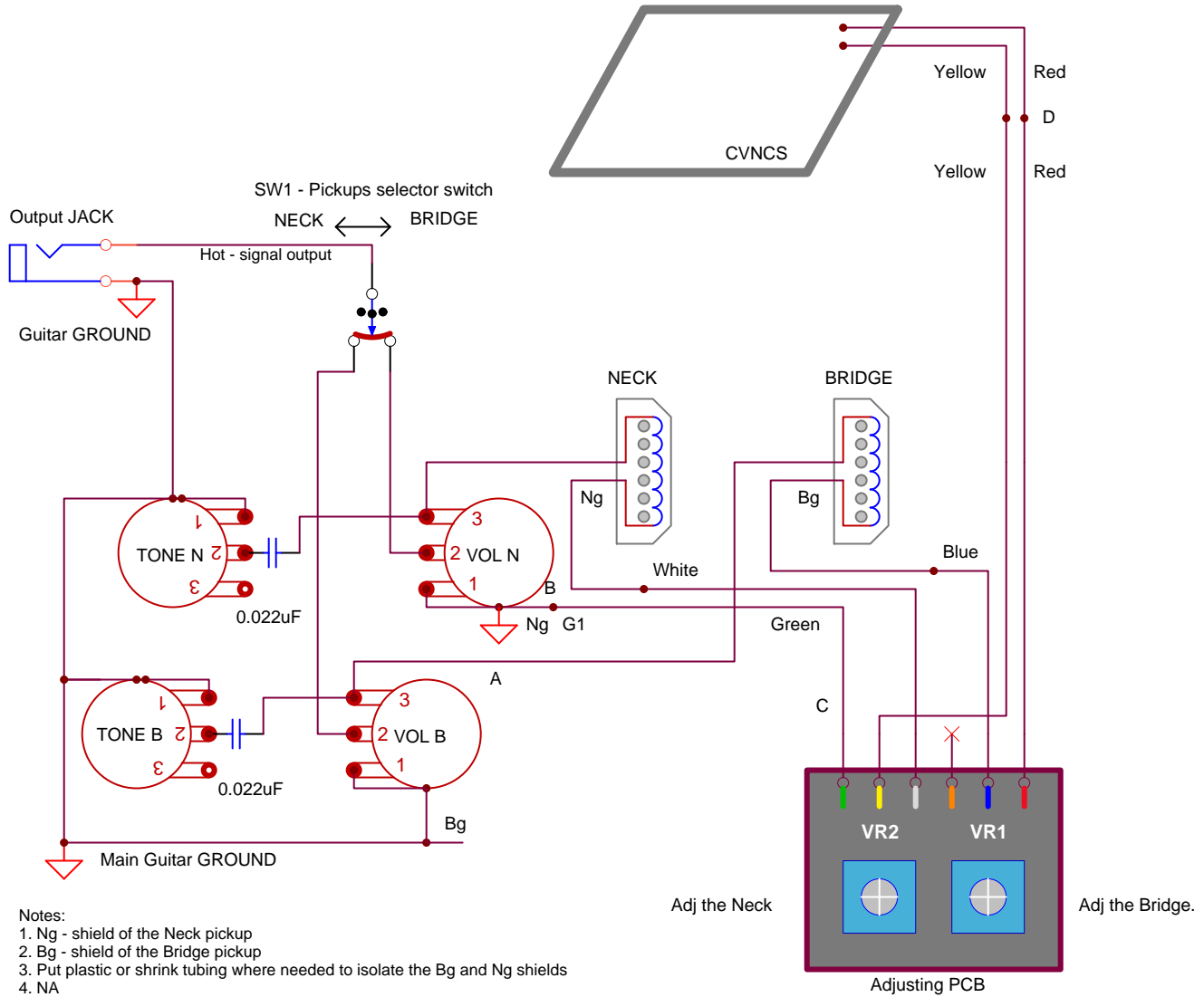
CVNCS installation steps:

- A. Cut or unsolder the two pickup ground wires (Ng and Bg) that were soldered to the Volume potentiometers housings.
- B. Tin with soldering gun and fresh solder wire one of the short ground wires (G1) left on the Volume potentiometers.
- C. Solder the cables coming out of the Adjusting PCB as follows:
=Green wire to G1; White wire to Ng; Blue wire to Bg. Then isolate the created soldering joints.
=Connect (solder) the red and yellow wires from the CVNCS coil to the red and yellow wires from the adjusting PCB and isolate the created soldering joints.
- D. Carefully shape and position the CVNCS within the control cavity then secure it using some tape pieces and/or paper shims.

Adjusting the CVNCS for best noise cancellation:

1. Put back ON some of the guitar strings (at least one), then turn the guitar volume and tone controls to their "MAX".
2. Use a guitar cable to connect the guitar to a guitar amplifier.
3. Use a correct size screwdriver to adjust the blue trim pots located on the adjusting PCB.
4. Turn the two trim pots located on the adjusting PCB to their "MAX" (100%). In this way you will be able to hear some basic hum noise later.
5. Turn "ON" the guitar amplifier and set it up with a gain and loudness, so you can hear some noticeable hum noise. Play over the strings to check that all pickups operate normally and the hum noise has almost the same level at all 3 position of the pickup selector switch SW1.
6. Hold the guitar as you would play it and get a position near the amplifier but not less than 3 feet (1 meter). Best noise canceling result will be achieved with the amplifier located behind your back and the guitar approximately parallel to the amplifier front face.
7. Put the pickup selector switch at position "1" (Bridge pickup only). Turn down (CCW) VR1 trim pot to reduce the noise level. If the noise increases instead of decreasing, unplug the guitar from the amplifier and swap the wires connection: yellow wire from the adjusting PCB to the red wire from the CVNCS; and red wire from the adjusting PCB to the yellow wire from the CVNCS. Now you turn down VR1 trim pot until you get optimum noise cancellation at position "1".
8. Put the pickup selector switch at position "3" (Neck pickup only). Turn slowly down VR2 trim pot to reduce the noise until you get optimal noise cancellation at position "3".
9. You can now go back and forth through all 3 positions (Bridge; Bridge + Neck; Neck) of the SW1 and fine adjust the locations of the VR1 and VR2 until you get optimum noise cancellation. After you are satisfied with the noise reducing result wrap out the adjusting PCB with a small plastic bag or piece of foam, and insert it into the guitar control cavity.

10. Align the control cavity plastic cover and screw it in using the mounting screws. Check again for normal operation of the guitar.



CVNCS Wiring diagram. Bridge and Neck pickups with braided wires
All rights reserved, ILITCH ELECTRONICS LLC

Terms and Limited Warranty

RETURNS & EXCHANGES:

We offer to the original purchaser the following terms of Limited Warranty:

1. Four weeks money back policy (excluding shipping and handling) for customers not satisfied with the purchase.
2. One year of warranty for all moving parts (i.e. trim potentiometers) of the product.
3. Two years warranty for all non-moving parts (i.e. - capacitors, resistors etc.) of the product.

Ilitch Electronics reserves the right, based on visual observing and electrical measuring, to determine what has caused a defect. Damages caused by accident, abuse, alteration, or misuse are not covered by this warranty. Product appearance and normal "wear and tear" (worn paint, scratches, etc.) are not covered by this warranty.

Customer's Name:..... Date of purchase :.....

All rights reserved without notification.
 ILITCH ELECTRONICS LLC
 Camarillo, CA, 93010
 Phone: 805 284 2775;
 email: ilitch@ilitchelectronics.com
 Web: www.ilitchelectronics.com