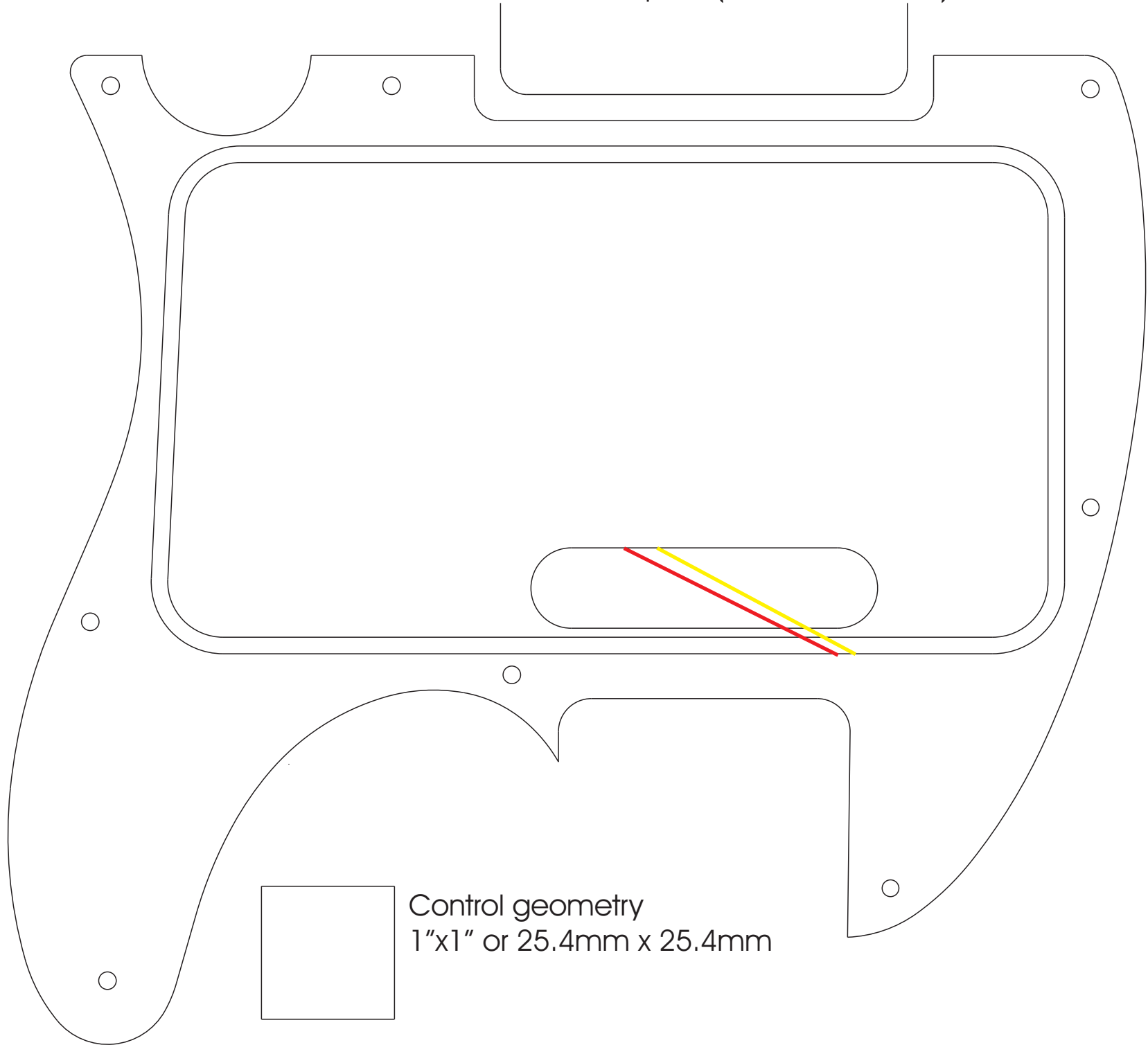


LCNCS Compact (19.5" or 500mm)



Control geometry
1"x1" or 25.4mm x 25.4mm